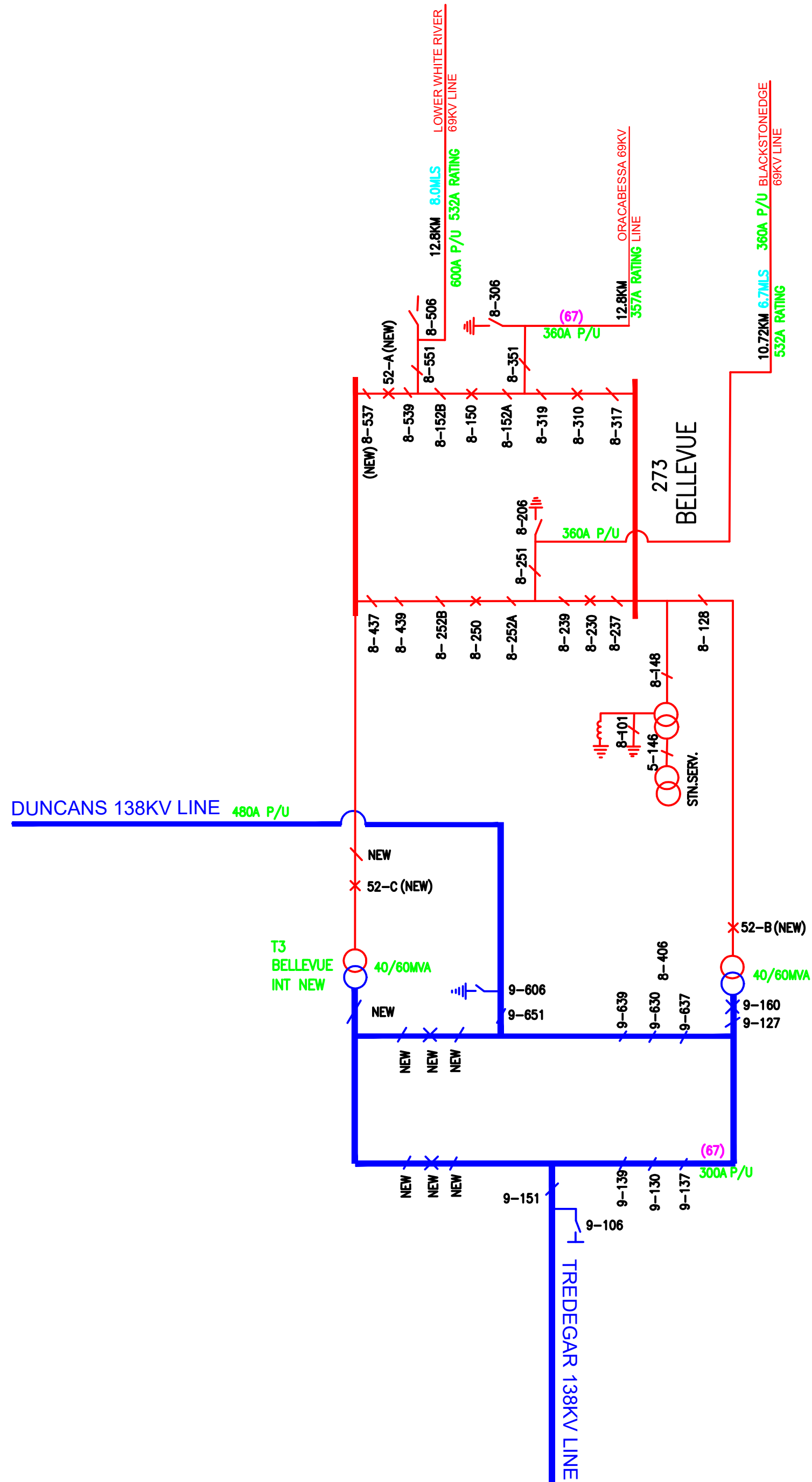


# BELLEVUE INTERBUS 2 INSTALLATION - SINGLE LINE DIAGRAM OPTION 2



## LEGEND

- TRANSFORMER .....
- CIRCUIT BREAKER .....
- ISOLATOR .....

<u>69 KV</u>	<u>138 KV</u>
1. 3 CB (NEW) 2. 3 ISOLATORS (NEW)	1. 2 CB (NEW) 2. 5 ISOLATORS (NEW)

NO.	PARTICULARS	APP.	BY	DATE
<b>REVISIONS</b>				
<b>JAMAICA PUBLIC SERVICE CO. LTD.</b> KINGSTON, JAMAICA				
<b>BELLEVUE INTERBUS 2 INSTALLATION</b>				
<b>SINGLE LINE DIA.</b>				
<b>PLOT SCALE:</b>	<b>APPROVED BY:</b>	<b>DATE:</b>	<b>DRAWING NO.:</b>	<b>REV. NO.</b>
	S. HAY	10.02.00	27618	1
<b>DATE:</b> 10.02.00	<b>DESIGNED BY:</b>	<b>CHECKED BY:</b>	<b>DRAWN BY:</b>	<b>SCALE:</b>
	G. CUMMINGS	G. CUMMINGS	J.C. CUMMINGS	1:1
<b>SUPP:</b> REVISION 2	<b>DATE:</b> 10.02.00	<b>REVISION:</b>	<b>BY:</b>	<b>DATE:</b>